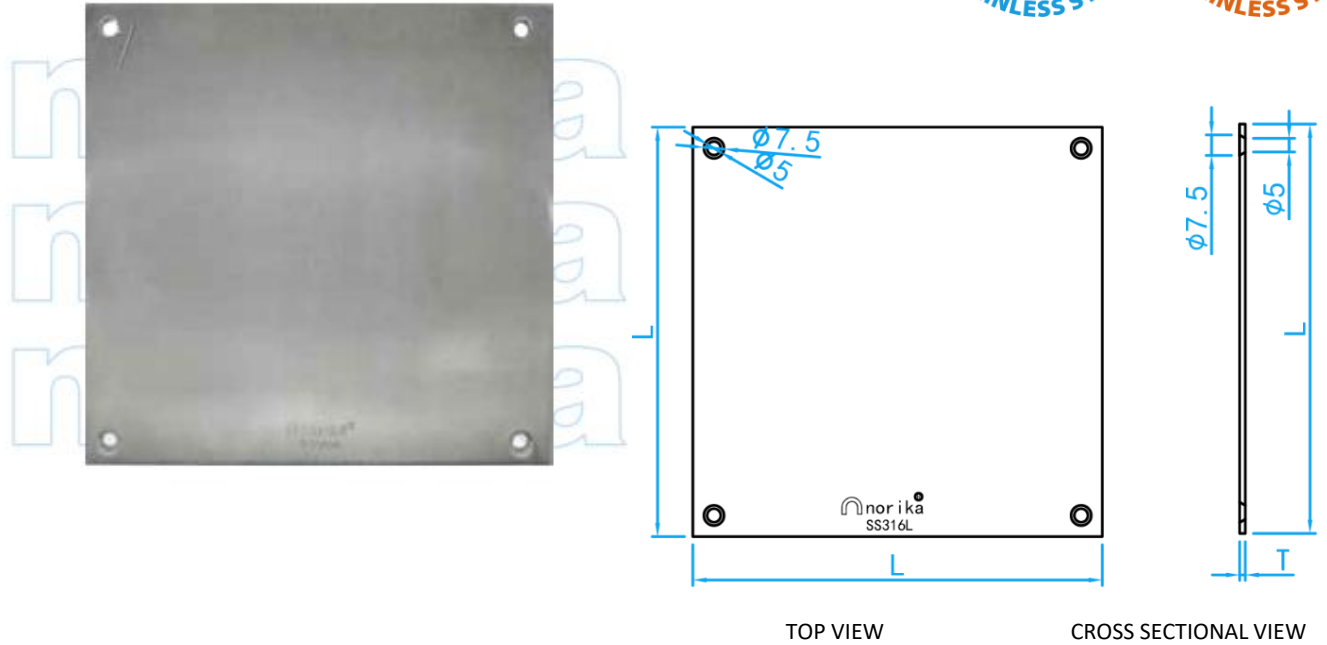


STAINLESS STEEL 304L & 316L SQUARE GRATING



COMPONENT PARTS

PARTS	MATERIAL
Drain	AISI304L / AISI316L

STANDARD SPECIFICATIONS

SKU	SURFACE	T (mm)	L (mm)	WEIGHT (kg)	PCS/CTN
SSUGN150HL	Hairline	1.5	150	0.25	100
SSUGN150HLHD	Hairline	3.0	150	0.50	33
SSUGN150HL316 (AISI316L)	Hairline	1.5	150	0.20	100
SSUGN200HL	Hairline	2.0	200	0.58	35